

## Drop-In Drop-in tempered glass top (2 GN container capacity) with A overshelf

ITEM # \_\_\_\_\_

MODEL # \_\_\_\_\_

NAME # \_\_\_\_\_

SIS # \_\_\_\_\_

AIA # \_\_\_\_\_


**341180 (D04C2)**

 Drop-in Tempered Glass Top  
 (2 GN container capacity)  
 with one A type overshelf  
 predisposed for hot lamps

### Short Form Specification

#### Item No.

Designed to serve the food in plates, casseroles, pans It comes with stylish black coloured tempered heated glass with integrated etched foil elements and stainless steel framed. Special design etched foil heating elements to maximize heat transmission on the surface for having the same temperature on the whole surface. Ideal for elegant buffet to display warm food, such as pizza, bun, etc. thanks to the extended surface top. AISI 304 Stainless steel frame with rounded corners to facilitate cleaning operations Stylish A type overshelf designed for extra increased visibility on the surface for charming food display. Overshelf equipped with hot halogen lamps (bulbs not included).

### Main Features

- Electronic overheating protection.
- Precise temperature control and setting at 0,1°C .
- As standard the product comes with digitally controlled thermostat which is in line of HACCP norms and provides visual alarm as a warning of the increasing or decreasing temperatures.
- Designed to serve the food in plates, casseroles, pans
- It comes with stylish black coloured tempered heated glass with integrated etched foil elements and stainless steel framed.
- Special design etched foil heating elements to maximize heat transmission on the surface for having the same temperature on the whole surface.
- Ideal for elegant buffet to display warm food, such as pizza, bun, etc. thanks to the extended surface top.
- CB and CE certified by a third party notified body.
- Food introduced at the correct temperature maintains its core temperature according to Afnor Standards.
- Stylish A type overshelf designed for extra increased visibility on the surface for charming food display.
- Designed to be positioned in flush installation providing improved cleanability and suitable for modern design installations.

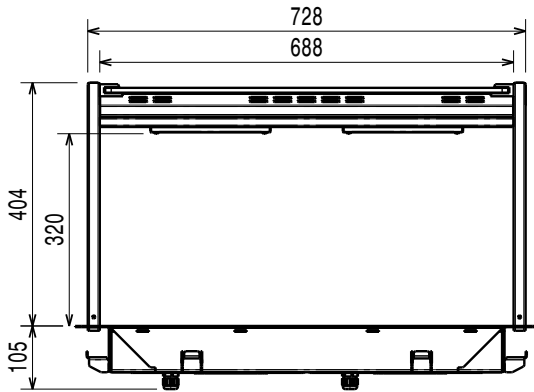
### Construction

- Electronic control with temperature display.
- AISI 304 Stainless steel frame with rounded corners to facilitate cleaning operations
- IPx4 water protection.
- Heating elements connected to the bottom include safety thermostat.
- Overshelf in complete AISI 304.
- Overshelf predisposed for halogen lamp bulbs type R7s 118mm 120W.

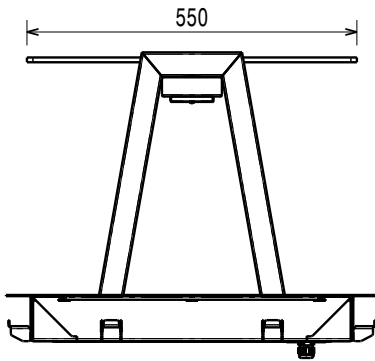
APPROVAL: \_\_\_\_\_



Front

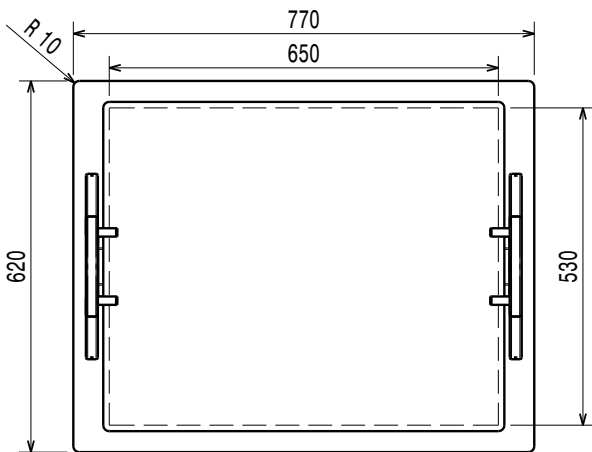


Side



EI = Electrical inlet (power)

Top



**Drop-In  
Drop-in tempered glass top (2 GN container capacity) with A overshelf**

The company reserves the right to make modifications to the products without prior notice. All information correct at time of printing.

**Electric**

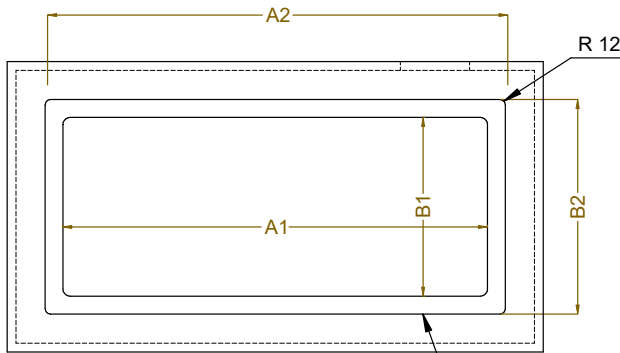
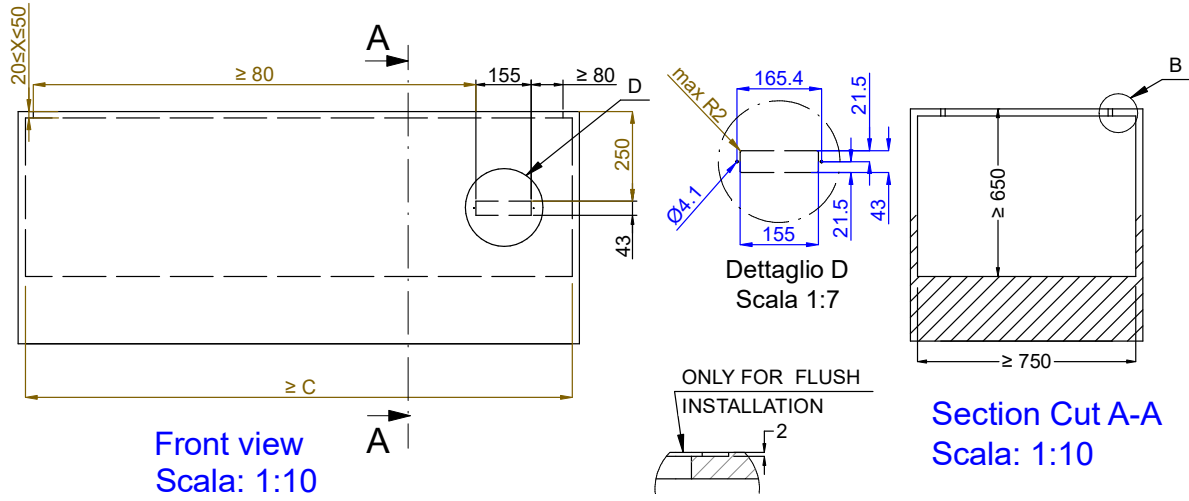
Supply voltage:	220-240 V/1N ph/50/60 Hz
Electrical power, max:	0.6 kW

**Key Information:**

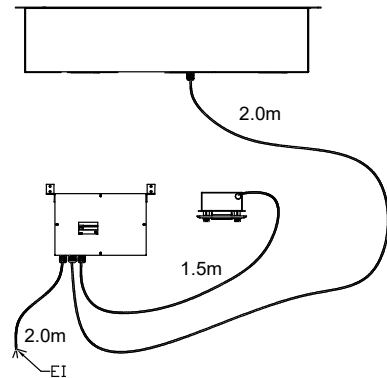
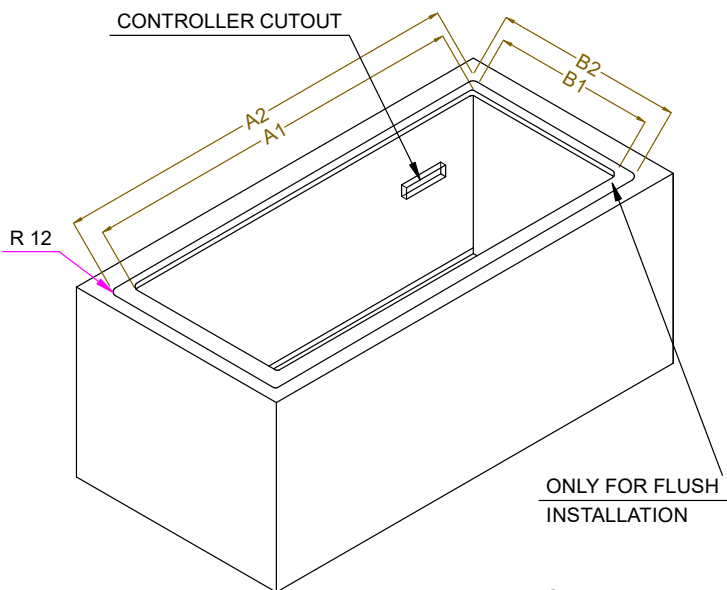
External dimensions, Width:	770 mm
External dimensions, Depth:	620 mm
External dimensions, Height:	484 mm
Net weight:	30.36 kg
Shipping weight:	53 kg
Shipping height:	800 mm
Shipping width:	680 mm
Shipping depth:	820 mm
Shipping volume:	0.45 m <sup>3</sup>
Set temperature:	+105 / +115 °C

**Sustainability**

Noise level:



CAPACITY	CUTOUT		LOWERING FOR FLUSH INSTALLATION		C
	A1	B1	A2	B2	
2GN	740	560	774	624	855
3GN	1070		1104		1190
4GN	1390		1424		1510



595T03A00 - HOT TEMPERED GLASS OVERSH. ON THE FRAME